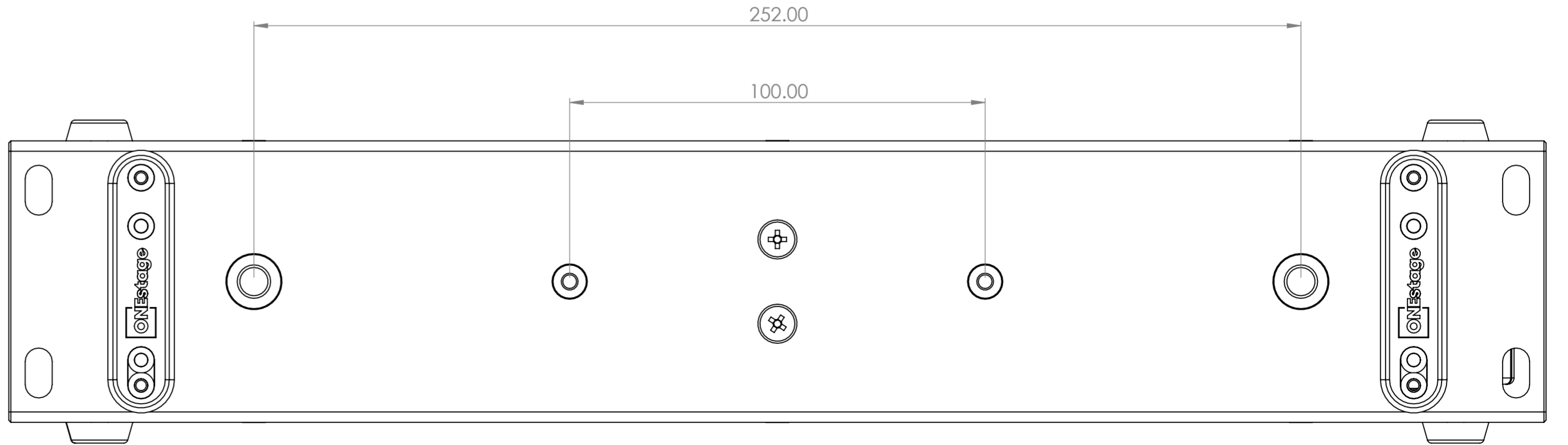
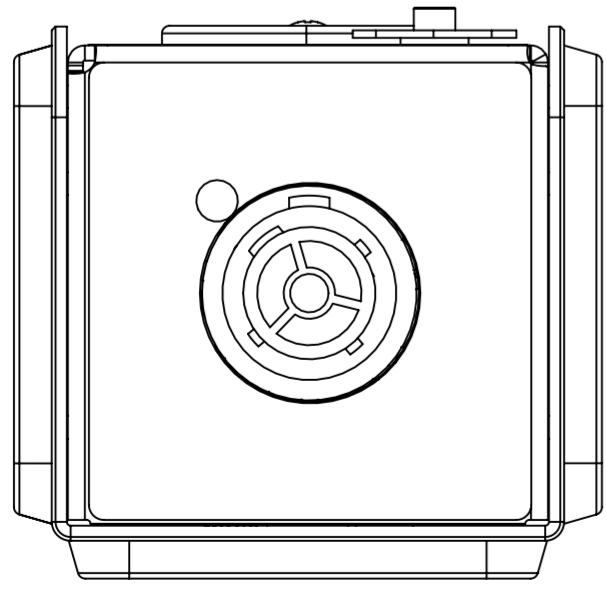
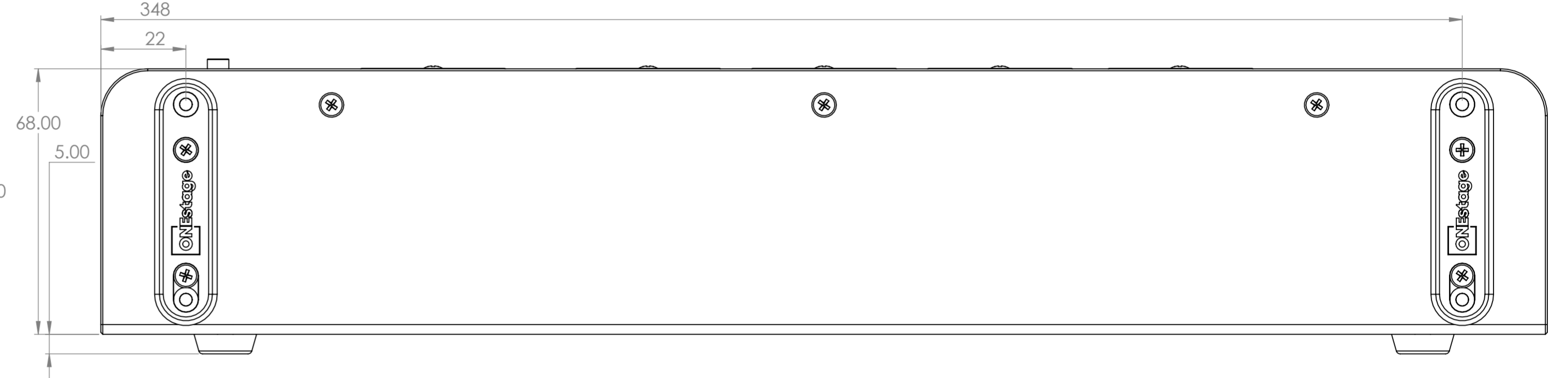
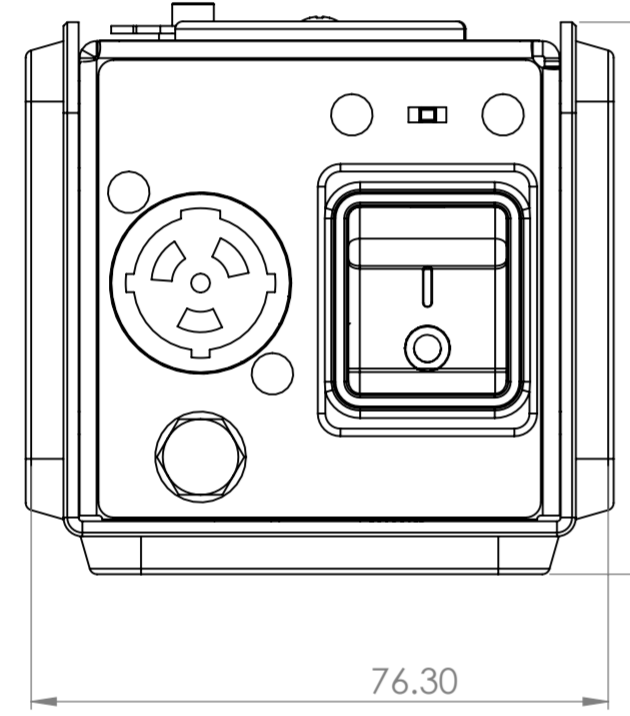
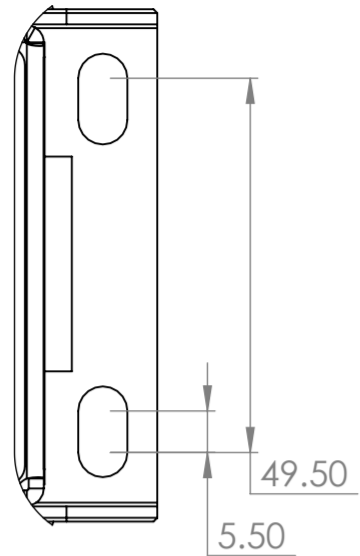
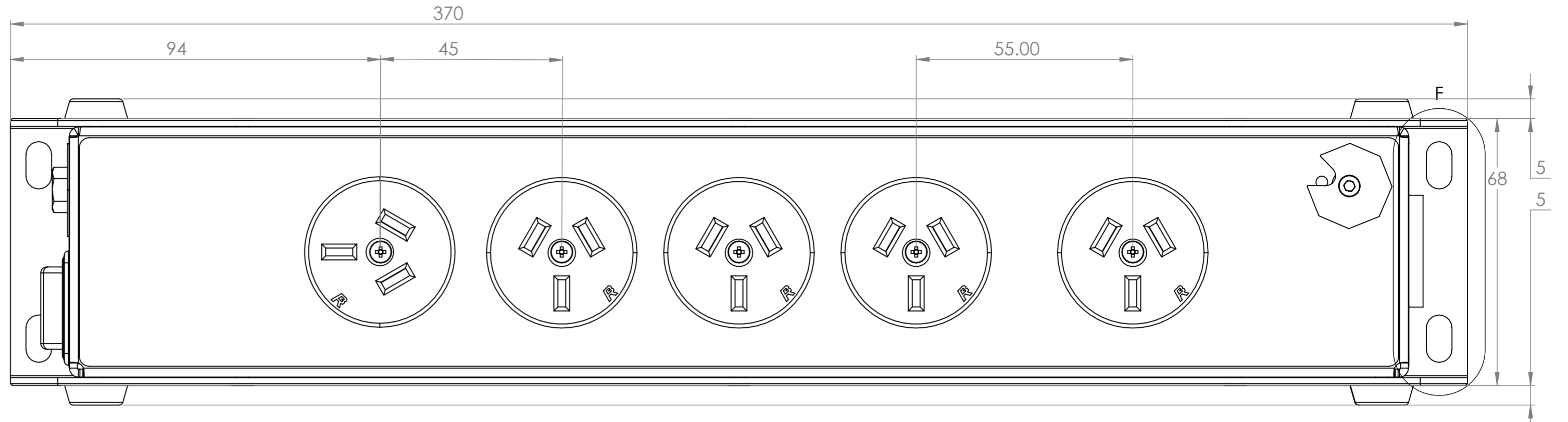


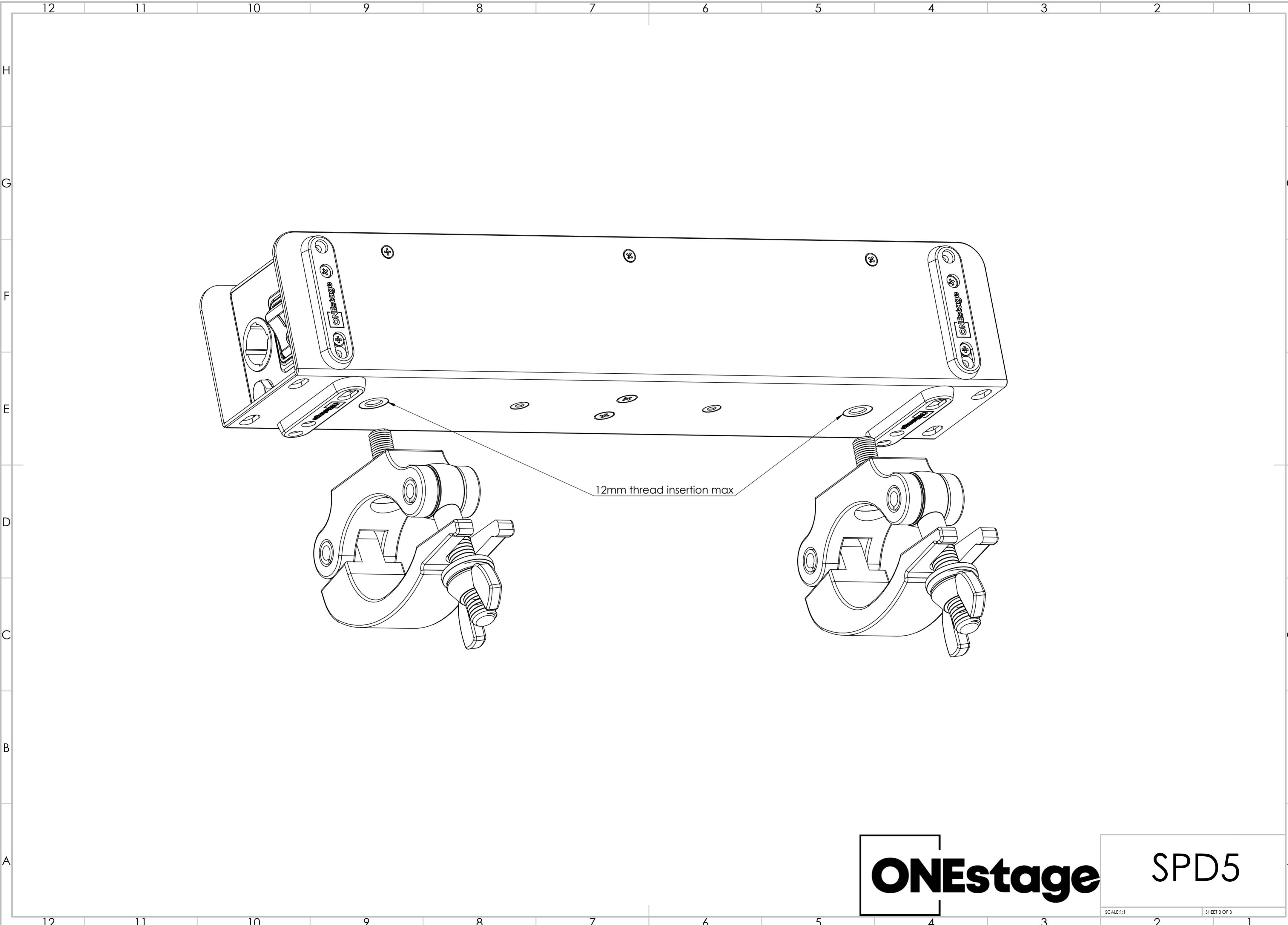
**ONEstage**

SPD5



**ONEstage**

**SPD5**



12mm thread insertion max

**ONEstage**

SPD5

SCALE:1:1

SHEET 3 OF 3